

# PS series

600 to 1800 watts

## Features:

- 6000W per module (1800W per system)
- 3 Outputs
- Power Factor Corrected
- Parallelable
- Hot Pluggable

## Ideally Suited For:

- Computing
- Networks
- Telecom & Datacom



## Input Characteristics

Input Power:	90-264VAC, 47-63 single phase, hot pluggable and unpluggable 12A maximum. (Active power factor correction reduces input current approximately 30%.)
Input Connector:	AMP free hanging 3 position plug 350767-1, located in the rack.

## Output Characteristics

Output Power:	600W maximum, +5V @ 60A, +3.3V @ 55A, +12V @ 20A, can supply varying amounts of +5V and +3.3V capacity on demand. Parallel Operation/ Configurable in N+1 continuous redundancy operation with Redundant output isolation diodes.
Output Connector:	Low impedance bus bars and 20 position control connector (J50), located in the rack.
Controls:	Output voltages are factory preset. Remote on/off via logic input. +5V and +3V have remote sensing feature.
Protection:	Overvoltage limiting on input bus. Overvoltage lockout on outputs. Lockout condition reset by cycling AC input power off for 25 seconds. Overpower limiting on input bus. Overcurrent lockout on down converter primary. Overcurrent limiting on output. Output undervoltage sets lockout after 5 seconds. Primary AC undervoltage shutdown, primary circuit overtemperature limiting. Secondary circuit overtemperature lockout protection circuits.

## Environmental Characteristics

Operating Ambient:	0 - 50°C.
Cooling:	Self contained fan.



[www.martekpower.com](http://www.martekpower.com)

**General Characteristics**

Weight: 16 Lbs.  
 Agency approvals: UL, CSA, TUV an CE mark.  
 Signals: TTL DC OK signal.  
 Indicators: Two LEDs show presence of input and output power.  
 Optional Features: Single DC input module or dual AC input module (shown) available for AC line changeover. Separate mounting rack (shown above) available.

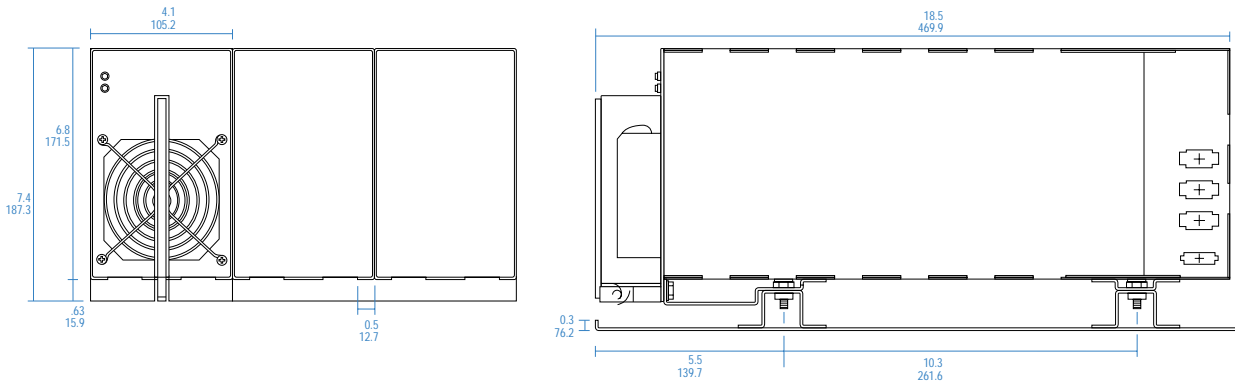
**Available Models**

Model	Output Channel	Output Voltage (VDC)	Output Current (A)
PS2174	V1	+5	60*
	V2	+3.3	55*
	V3	-12	20

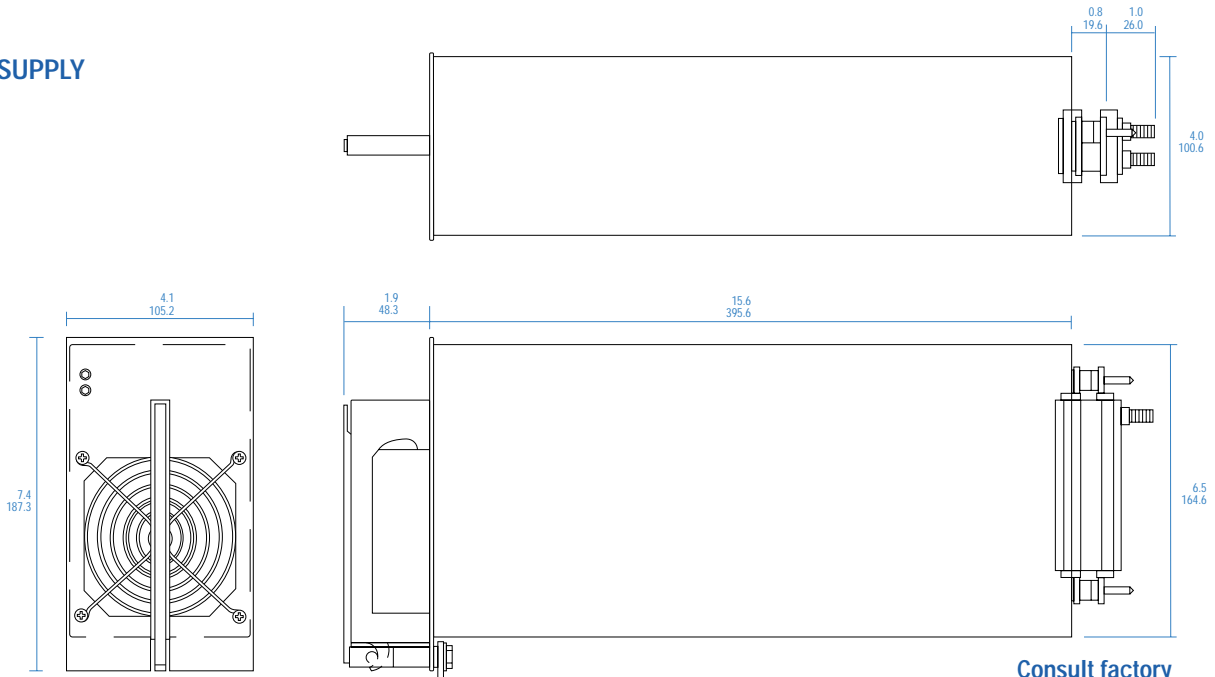
\*Can provide varying amount of +5 & 3.3Vdc on demand  
 Note: System bay, model B2174, may be purchased separately. Accommodates 3 Power Supplies.

**Outline Drawing**

**SYSTEM BAY**



**SUPPLY**



**Consult factory for pin outs**

All specifications are typical at 25 degrees C with nominal input voltage and full output unless otherwise noted. Specifications are subject to change without notice. All dimensions are typical.